

N 1/2 C CD

1901 Tap Range 1901 Basin Taps with Ceramic Disc Valves



Features:

- Metal heads
- Ceramic Discs
- Chrome plated to BS EN 248

Product Certifications:



For more products, visit our website:



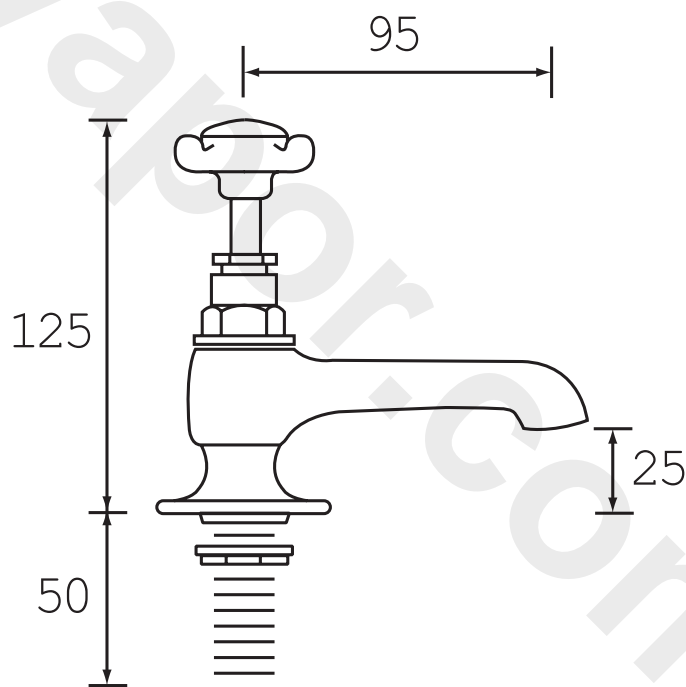
TECHNICAL
DATA
SHEET



Specification

Style:	Traditional
Product Type:	Bathroom taps
Finish/Colour:	Chrome
Main Construction Material:	Brass
Mount Type:	Deck
Handle Type:	Crosshead
Connection Inlet:	1/2" BSP
Number of Tap Holes Required:	2
Valve/Cartridge Type:	1/2" Ceramic Disc Valve
Plumbing System Suitability	All
Working Pressure Range:	Min 0.2 bar - Max 5 bar
Maximum Hot Water Temperature: °c	65
Maximum Dynamic Pressure: (bar)	5 bar
Maximum Static Pressure: (bar)	10
Flow Type:	Single Flow
Flow Rate: (l/min @ 3 bar)	61.6
Connection Outlet:	Open
Isolation Included:	No

Dimensions (measurements in mm)



Flow Rates (l/min)

System Pressure (bar)	0.2	0.5	1	2	3	5
N 1/2 C CD	15.9	25.2	35.6	50.3	61.6	79.6

BRISTAN
TAPS & SHOWERS

D3